

IDT

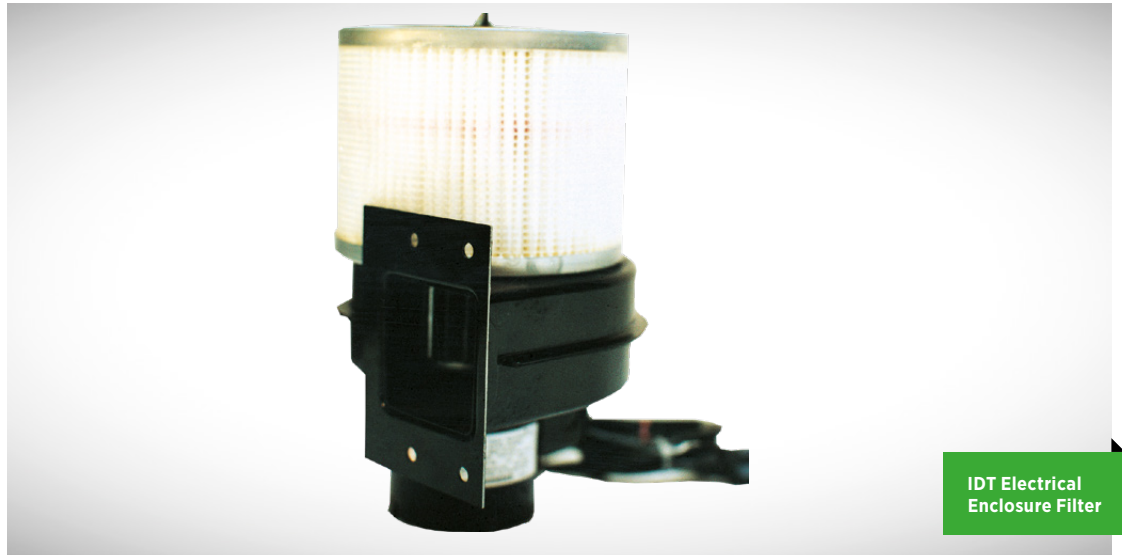
Electrical Enclosure Filter

FEATURES

- High air flow capacity in compact sizes
- Sizes available to accommodate panel boxes to equipment rooms
- Self-contained systems
- Simple installation (usually less than one hour)

TYPICAL APPLICATIONS

- Manufacturing equipment control panels
- Electric panel boxes — fuse/breaker boxes
- Equipment rooms



ELECTRICAL ENCLOSURE FILTER

IDT's electrical enclosure filter was designed to positively pressurize electric control panels — keeping electric/electronic controls clean while displacing heat.

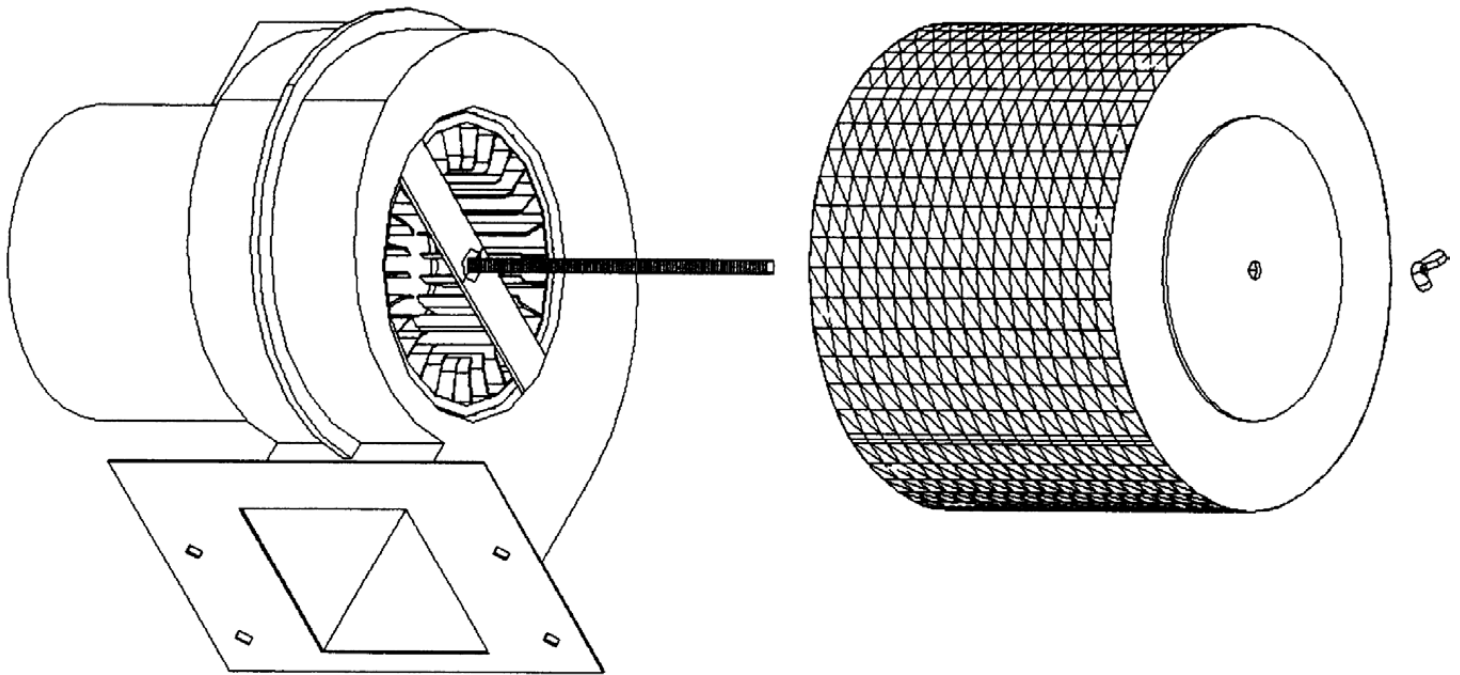
TECHNICAL SPECIFICATIONS

Filter efficiency	95%+
Air flow	135 CFM
Power requirement	115/1/60
Amps	3
Dimensions (H x W x L)	7 x 7 x 10½"
Filter size (diameter)	4½ x 6"
Weight	7 lbs

IDT

Electrical Enclosure Filter

TECHNICAL DRAWING



LOCAL REPRESENTATIVE

Tri-Dim Filter Corporation is committed to continual product development - all descriptions, specifications and performance data are subject to change without notice. Tri-Dim products are manufactured to exacting criteria - there can be a $\pm 5\%$ variance in filter performance.